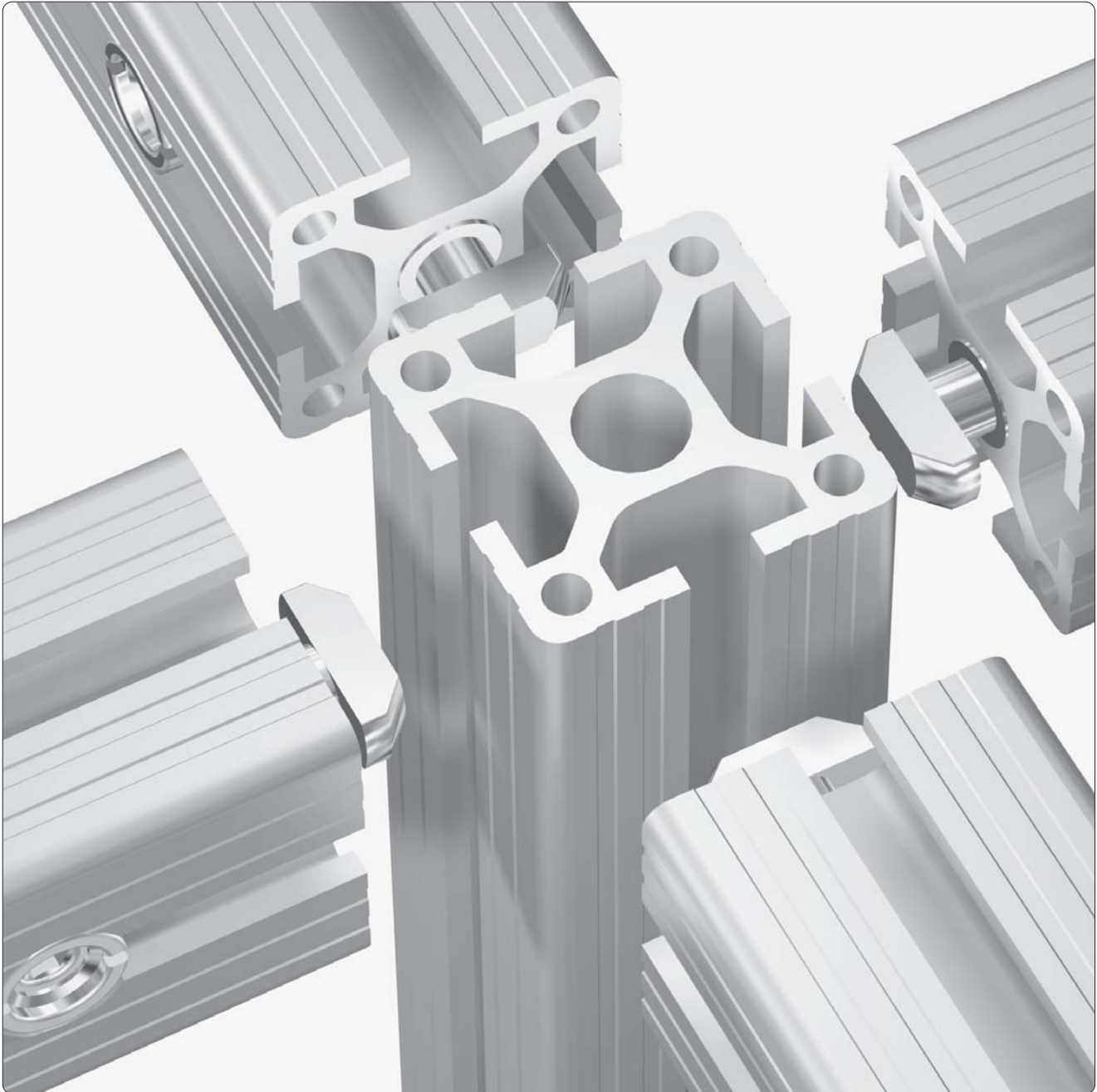




Bent Profiles



Simple

Quick

Economical

Functional

The proven connection system!

The MayTec quick-connection system allows combination of all MayTec profiles in any way imaginable.

It carries same stability out after all four sides.

The connection allows:

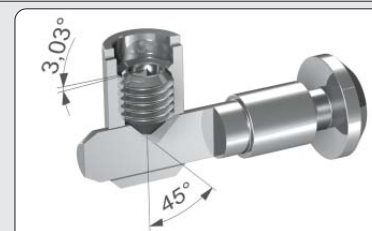
- easy machining
- quick assembly
- innumerable (dis)assemblies

The connection system is:

- complete
- stable
- functional

Vibration proof

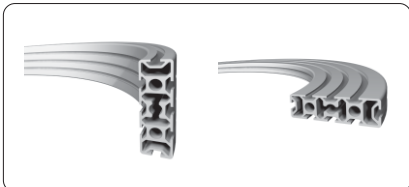
The different direction angles of lead of thread and clamping cone prevent the loosening of the connection by vibration.



Bent profiles

For bent profiles the following data are needed:

- Profile (current conditions see table below)
- Position of profile ↗ 59 ⁽¹⁾
- Bending radius
- Bending direction ↗ 61 ⁽¹⁾
- Accuracy to size for profile elements and for profile functions



Position of profile



Function 'T- Nut'													Function 'threaded plate'													Function 'connector'																									
position of slot(s)													position of slot(s)													position of slot(s)													position of core hole(s)												
A	B	C	D	E	F	G	H	I	K	L	M	A	B	C	D	E	F	G	H	I	K	L	M	A	B	C	D	E	F	G	H	I	K	L	M	a	b	c	d	e	f	g	h								

The marking of the slots and core holes takes place in accordance with the marking for 'the profile machining' ↗ 1.1A ⁽¹⁾

Article-No.	PG	Profile	min. inside-Ø
1.10.016040.14P	16	16x40, 1F, P	400
1.10.016040.14LP		16x40, 1F, LP	400
1.10.016040.14P		16x40, 1F, P	400
1.10.020020.21P	20	20x20, 2H, soft, P	700
1.10.020020.22P		20x20, 2H, cor., P	700
1.10.020020.23LP		20x20, 2H, LP	700
1.10.020020.33P		20x20, 3H, P	700
1.10.020020.43LP		20x20, 4H, LP	700
1.10.020020.43P		20x20, 4H, P	700
1.11.020010.14LP		20x10, 1F, LP	400
1.11.020030.14LP		20x30, 1F, LP	700
1.11.020030.24LP		20x30, 2F, LP	700
1.11.020030.24P		20x30, 2F, P	700
1.11.030030.03P	30	30x30, 0F, P	700
1.11.030030.13LP		30x30, 1F, LP	700
1.11.030030.13P		30x30, 1F, P	700
1.11.030030.22		30x30, 2F, cor.	700
1.11.030030.22B		30x30, 2F, cor., B	700
1.11.030030.22BP		30x30, 2F, cor., B, P	700
1.11.030030.22L		30x30, 2F, cor., L	700
1.11.030030.22LP		30x30, 2F, cor., LP	700
1.11.030030.23L		30x30, 2F, L	700
1.11.030030.23LP		30x30, 2F, LP	700
1.11.030030.23P		30x30, 2F, P	700
1.11.030030.33		30x30, 3F	700
1.11.030030.33L		30x30, 3F, L	700
1.11.030030.33LP		30x30, 3F, LP	700
1.11.030030.33P		30x30, 3F, P	700
1.11.030030.43		30x30, 4F	700
1.11.030030.43L		30x30, 4F, L	700
1.11.030030.43LP		30x30, 4F, LP	700
1.11.030030.43P		30x30, 4F, P	700
1.11.030050.44		30x50, 4F	700
1.11.030050.44L		30x50, 4F, L	700
1.11.030060.04P		30x60, 0F, P	700
1.11.030060.64L		30x60, 6F, L	700

Article-No.	PG	Profile	min. inside-Ø
1.11.030060.64LP		30x60, 6F, LP	700
1.11.030060.65	30	30x60, 6F	700
1.11.030060.65		30x60, 6F	700
1.11.030100.54L		30x100, 5F, L	700
1.11.030100.74P		30x100, 5E, 2F, P	700
1.11.030100.84P		30x100, 8F, P	700
1.11.030100.94P		30x100, 9F, P	700
1.11.030100.104P		30x100, 10F, P	700
1.11.040040.03LP	40	40x40, 0E, LP	700
1.11.040040.13LP		40x40, 1E, LP	700
1.11.040040.22		40x40, 2E, cor.	700
1.11.040040.22L		40x40, 2E, cor., L	700
1.11.040040.22LP		40x40, 2E, cor., LP	700
1.11.040040.23L		40x40, 2E, L	700
1.11.040040.23LP		40x40, 2E, LP	700
1.11.040040.33		40x40, 3E	700
1.11.040040.33L		40x40, 3E, L	700
1.11.040040.33LP		40x40, 3E, LP	700
1.11.040040.43		40x40, 4E	700
1.11.040040.43L		40x40, 4E, L	700
1.11.040040.43LP		40x40, 4E, LP	700
1.11.040040.43P		40x40, 4E, P	700
1.11.040060.04LP		40x60, 0E, LP	700
1.11.040080.04LP		40x80, 0E, LP	700
1.11.040080.44L		40x80, 4E, L	700
1.11.040080.64L		40x80, 6E, L	700
1.11.040080.65		40x80, 6E	700
1.11.040080.32LP		40x80, 3E, cor., LP	700
1.11.040080.44LP		40x80, 4E, LP	700
1.11.040080.44LBP		40x80, 4E, LBP	700
1.11.040080.54LP		40x80, 5E, LP	700
1.11.040080.64LP		40x80, 6E, LP	700
1.11.040080.64P		40x80, 6E, P	700
1.11.048R00.10P		48, round, 1E, P	1.500
1.11.048R00.20P		48, round, 2E, P	1.500
1.11.048R00.22P		48, round, 2E, cor., P	1.500

¹⁾ Reference to the catalogue „The Profile System 1/2006 E“

The key...

to success

extreme
strong
dependable

Australia

MayTec Australia P/L
Unit 1, 8 Prosperity Parade
Warriewood, NSW 2102

country code: +61
phone (0) 2 / 9999 0890
fax (0) 2 / 9979 8703
e-mail: info@maytec.com.au
<http://www.maytec.com.au>

Germany

MayTec Aluminium
Systemtechnik GmbH
Kopernikusstraße 20
D - 85221 Dachau

country code: +49
phone (0) 8131 / 33 36 - 0
fax (0) 8131 / 33 36 - 119
e-mail: mail@maytec.de
<http://www.maytec.de>

USA

MayTec Inc.
1625 Dundee Ave., Unit E-F
Elgin, IL 60120

country code: +1
phone 847 - 429 - 0321
fax 847 - 429 - 0460
e-mail: mail@maytecinc.com
<http://www.maytecinc.com>

Your professional partner